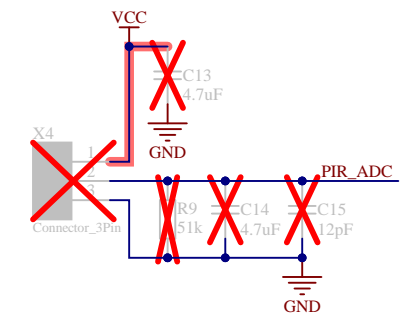
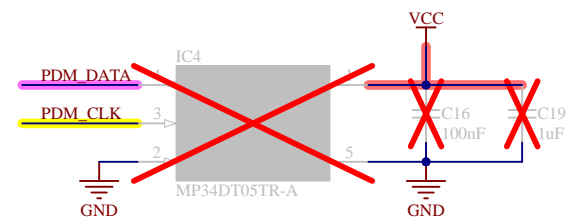


CompanyName: Panasonic Industrial Devices Europe			*
Size: A4	Number: 1	Revision: *	*
Date: 19.06.2023	Time: 11:04:12	Sheet 1 of 2	*
File: PAN1780_Mod.SchDoc			*

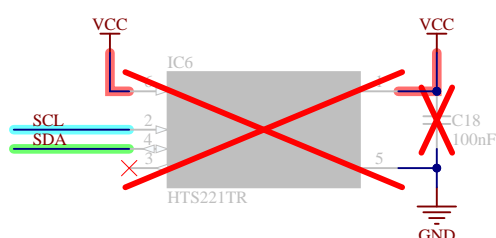




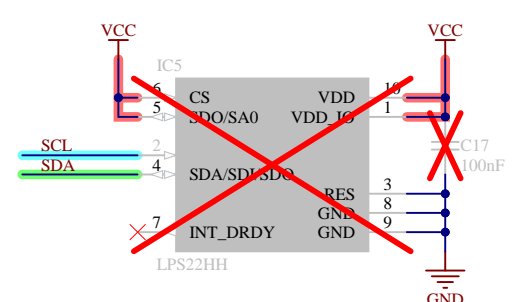
PIR Sensor Connector



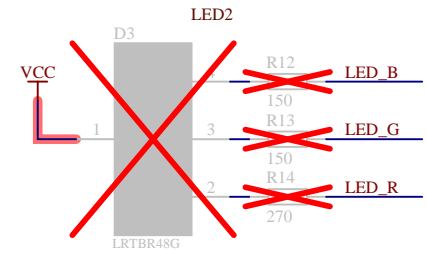
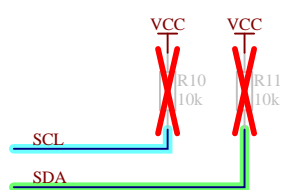
Digital Microphone



Humidity / Temperature



Pressure



CompanyName: Panasonic Industrial Devices Europe			* * * *
Size: A4	Number:2	Revision:*	
Date: 19.06.2023	Time: 11:04:12	Sheet 2 of 2	
File: Sensor_Nodes.SchDoc			

