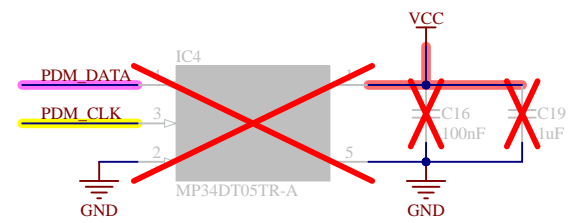
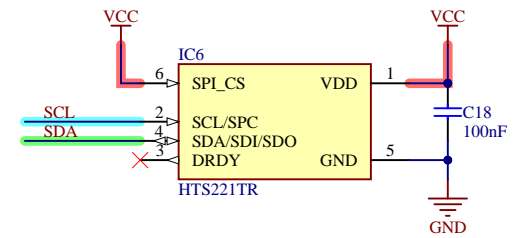


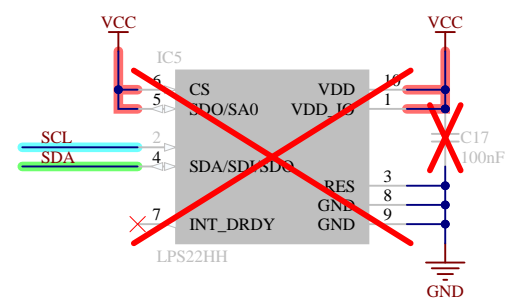
PIR Sensor Connector



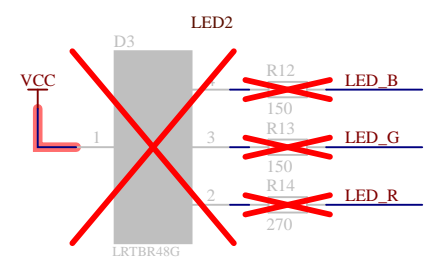
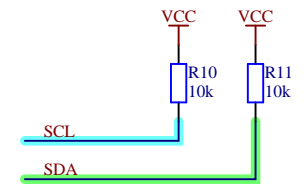
Digital Microphone



Humidity / Temperature



Pressure



CompanyName: Panasonic Industrial Devices Europe			* * * *
Size: A4	Number:2	Revision:*	
Date: 19.06.2023	Time: 11:01:18	Sheet2 of 2	
File: Sensor_Nodes.SchDoc			