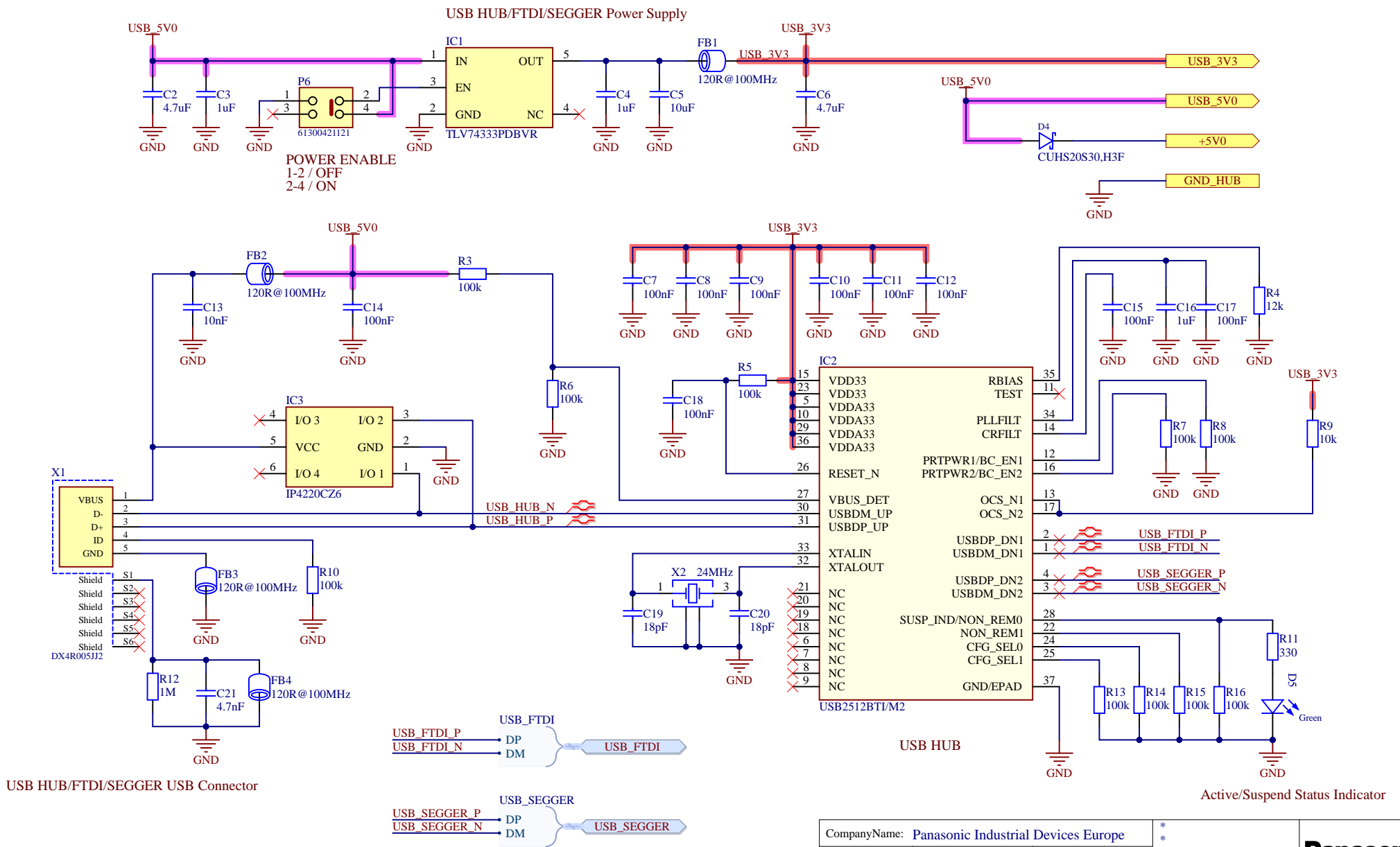


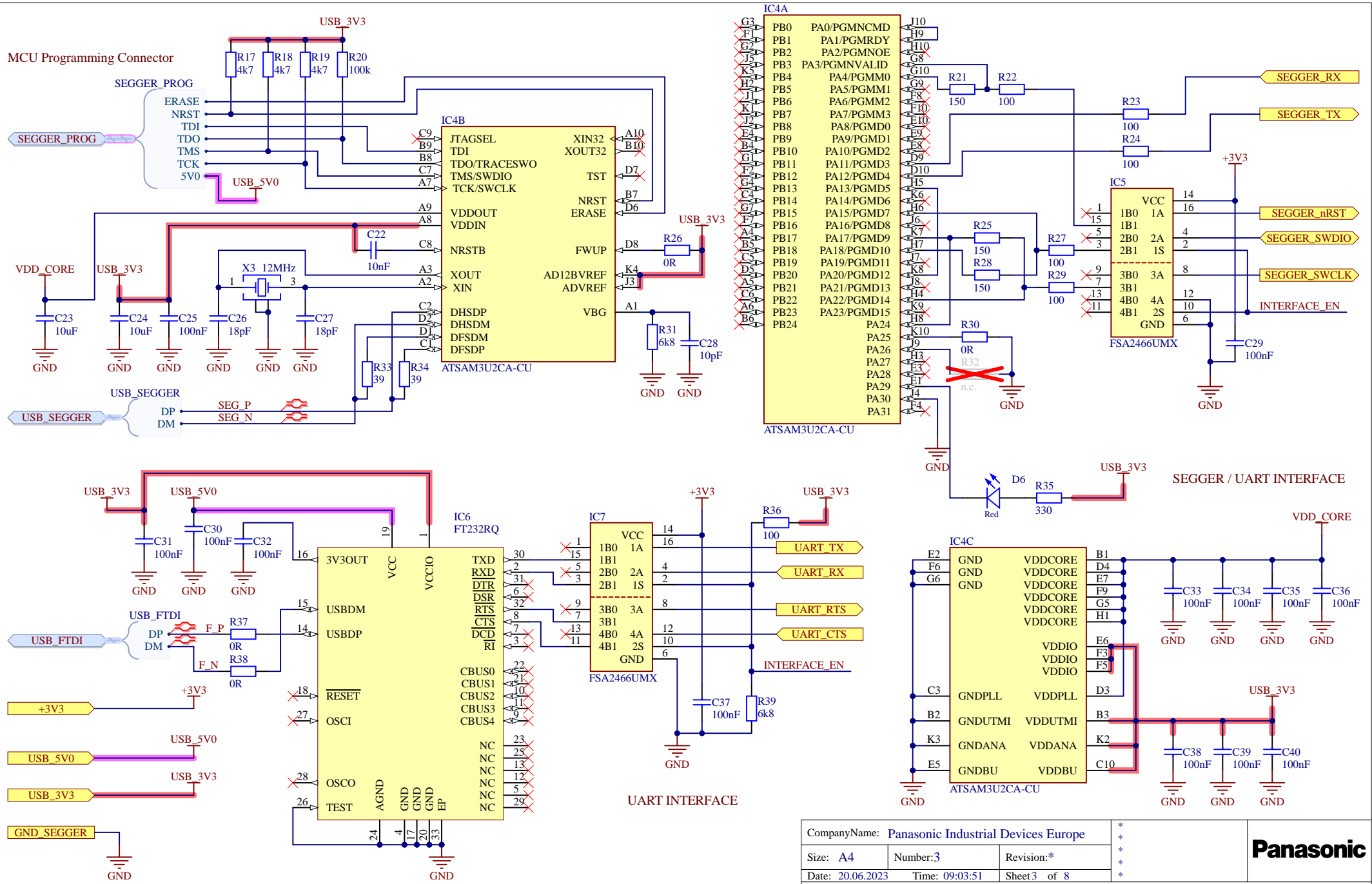
CompanyName: Panasonic Industrial Devices Europe			* * * *
Size: A4	Number: 1	Revision: *	
Date: 20.06.2023	Time: 09:03:51	Sheet 1 of 8	
File: PAN1780_ETU_ArduinoCompatible.SchDoc			

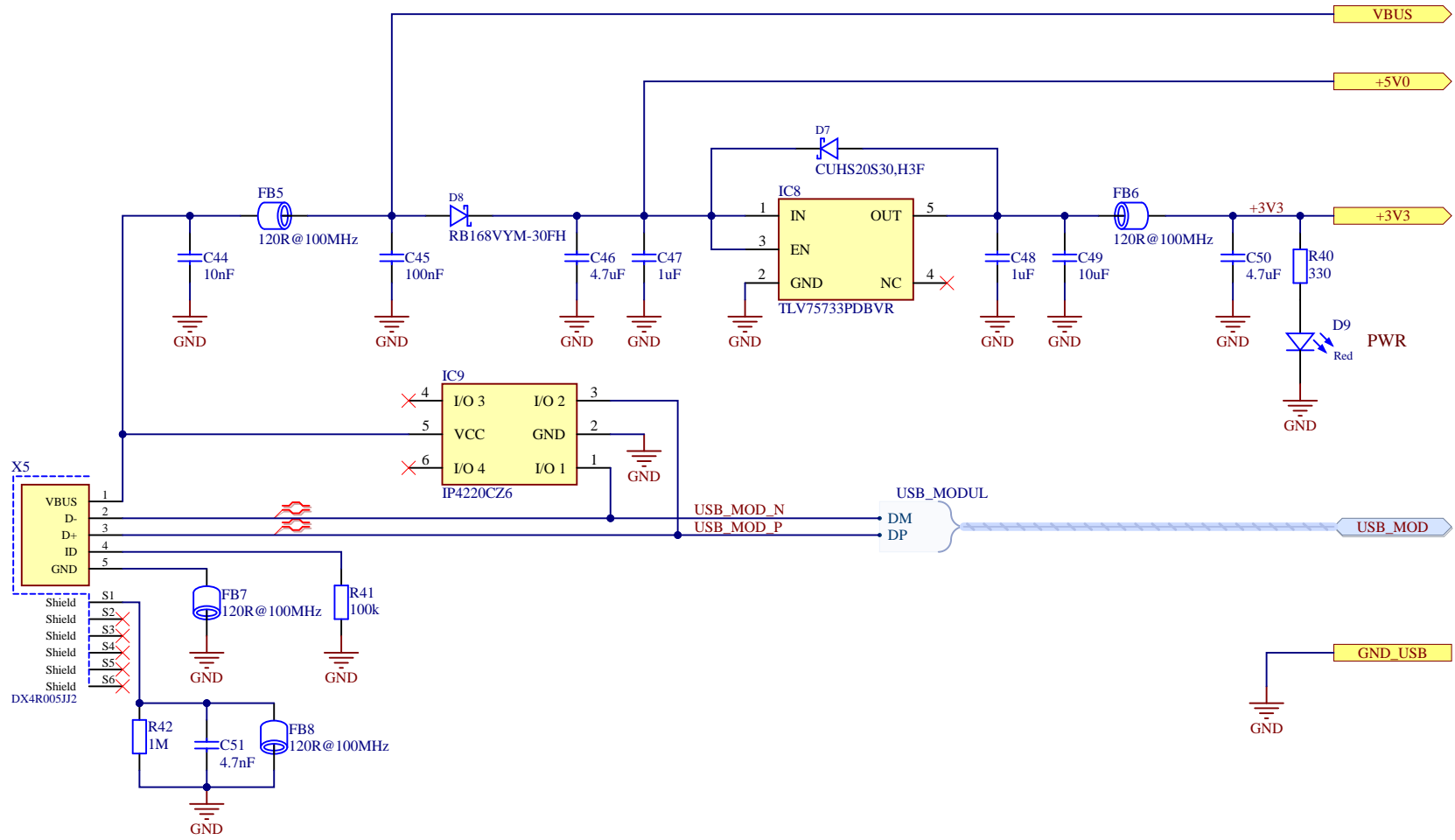
Panasonic



CompanyName: Panasonic Industrial Devices Europe			*
Size: A4	Number:2	Revision:*	*
Date: 20.06.2023	Time: 09:03:51	Sheet2 of 8	*
File: USB_HUB.SchDoc			*

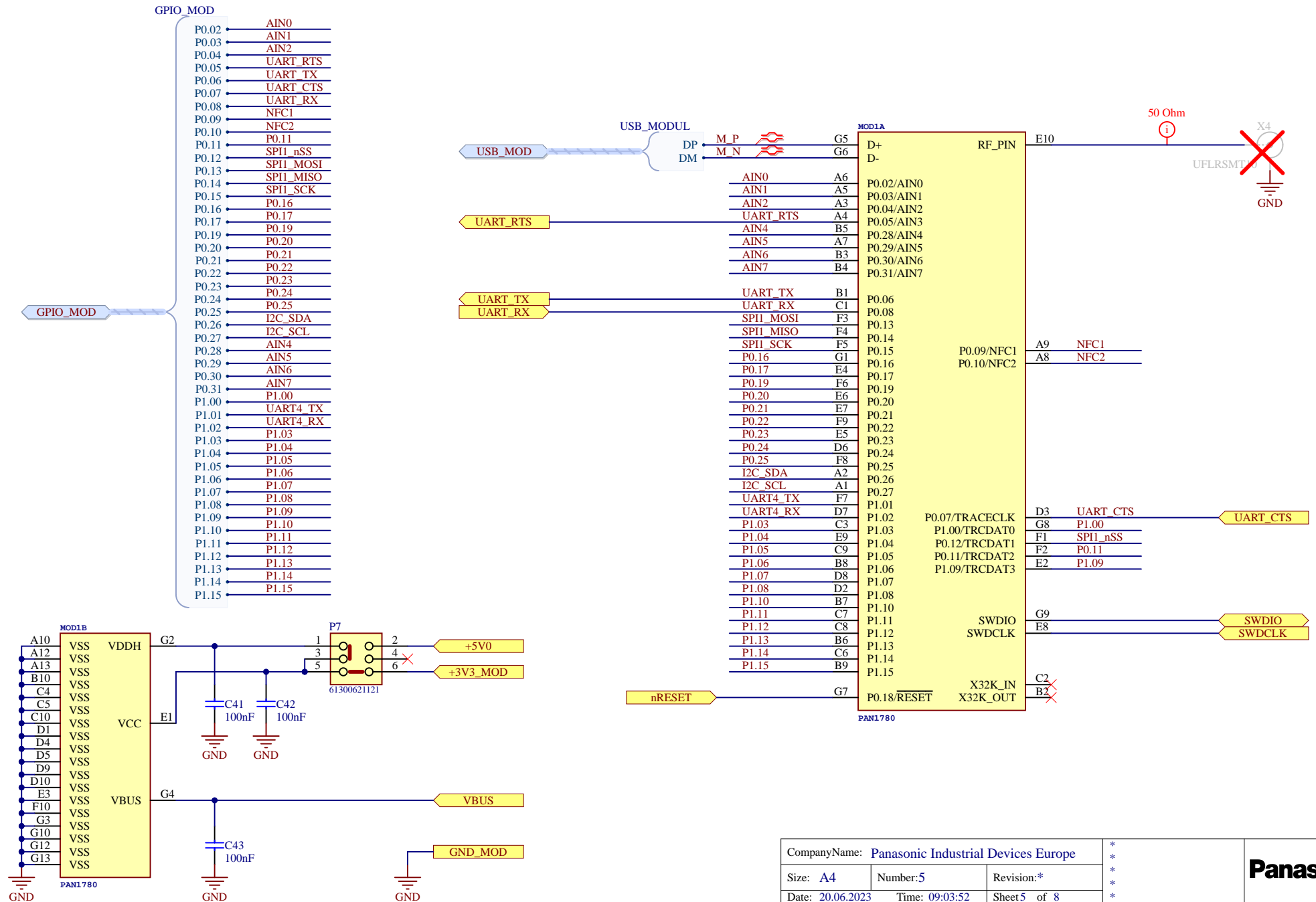
Panasonic

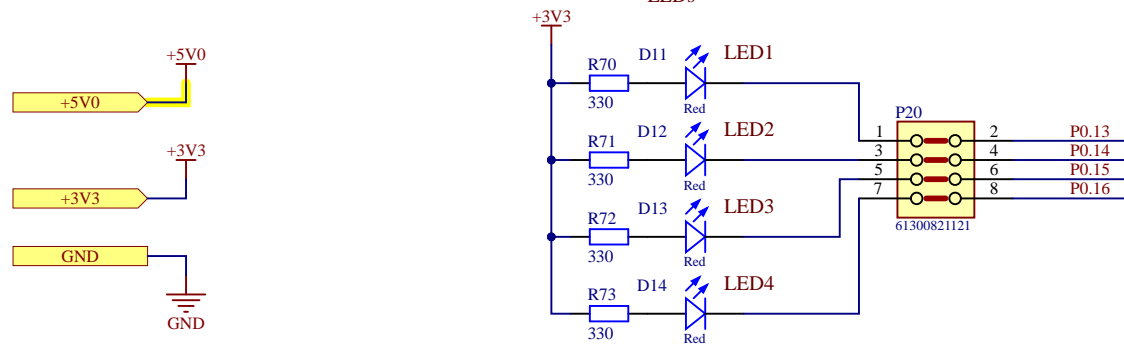
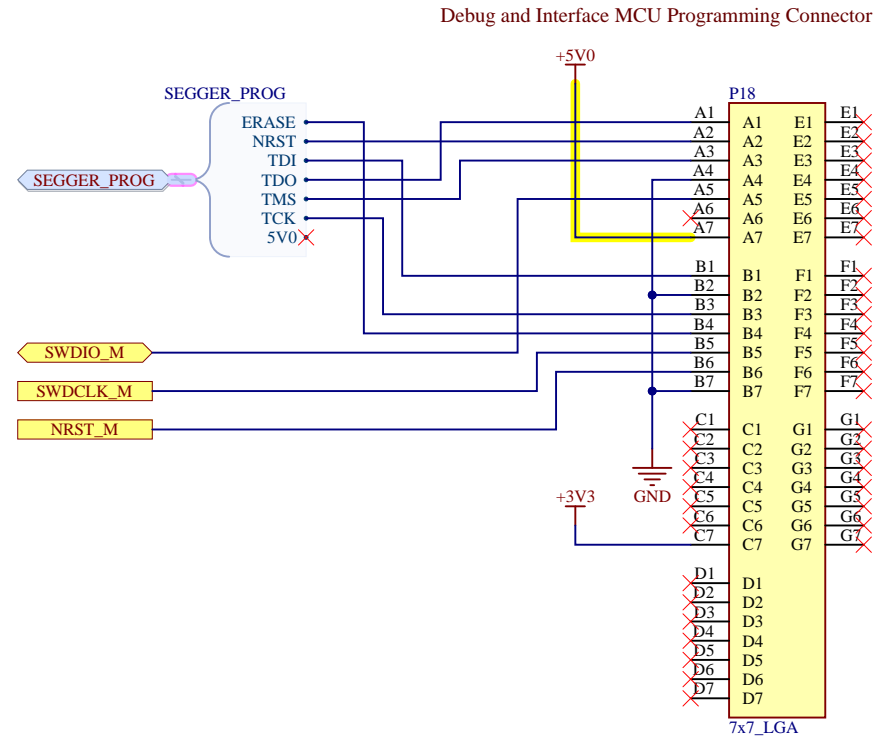
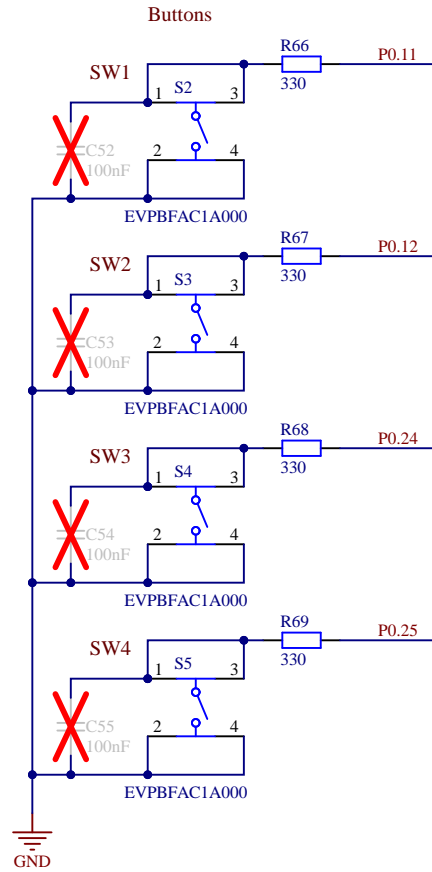
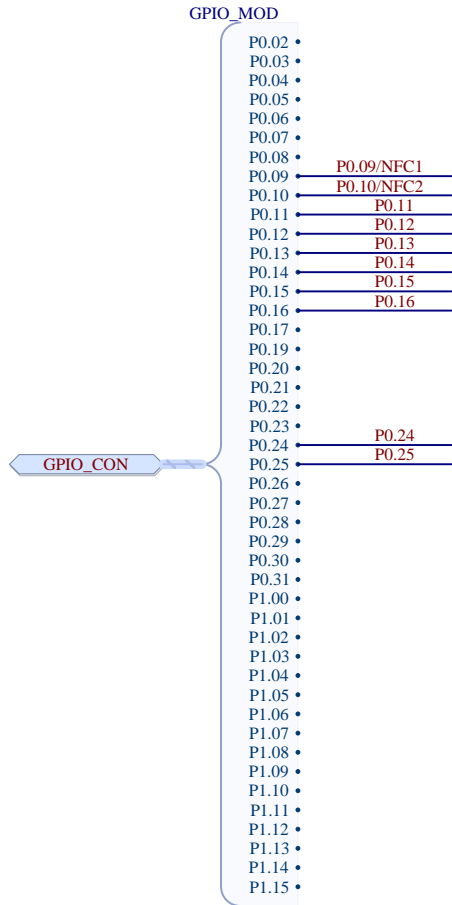




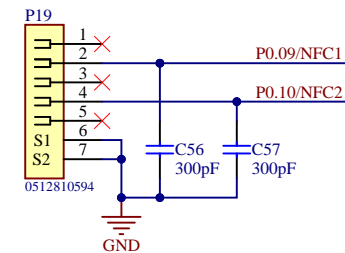
CompanyName: Panasonic Industrial Devices Europe			*
Size: A4	Number:4	Revision:*	*
Date: 20.06.2023	Time: 09:03:52	Sheet4 of 8	*
File: USB INTERFACE_POWER SUPPLY.SchDoc			*

Panasonic





Optional NFC Antenna Connector



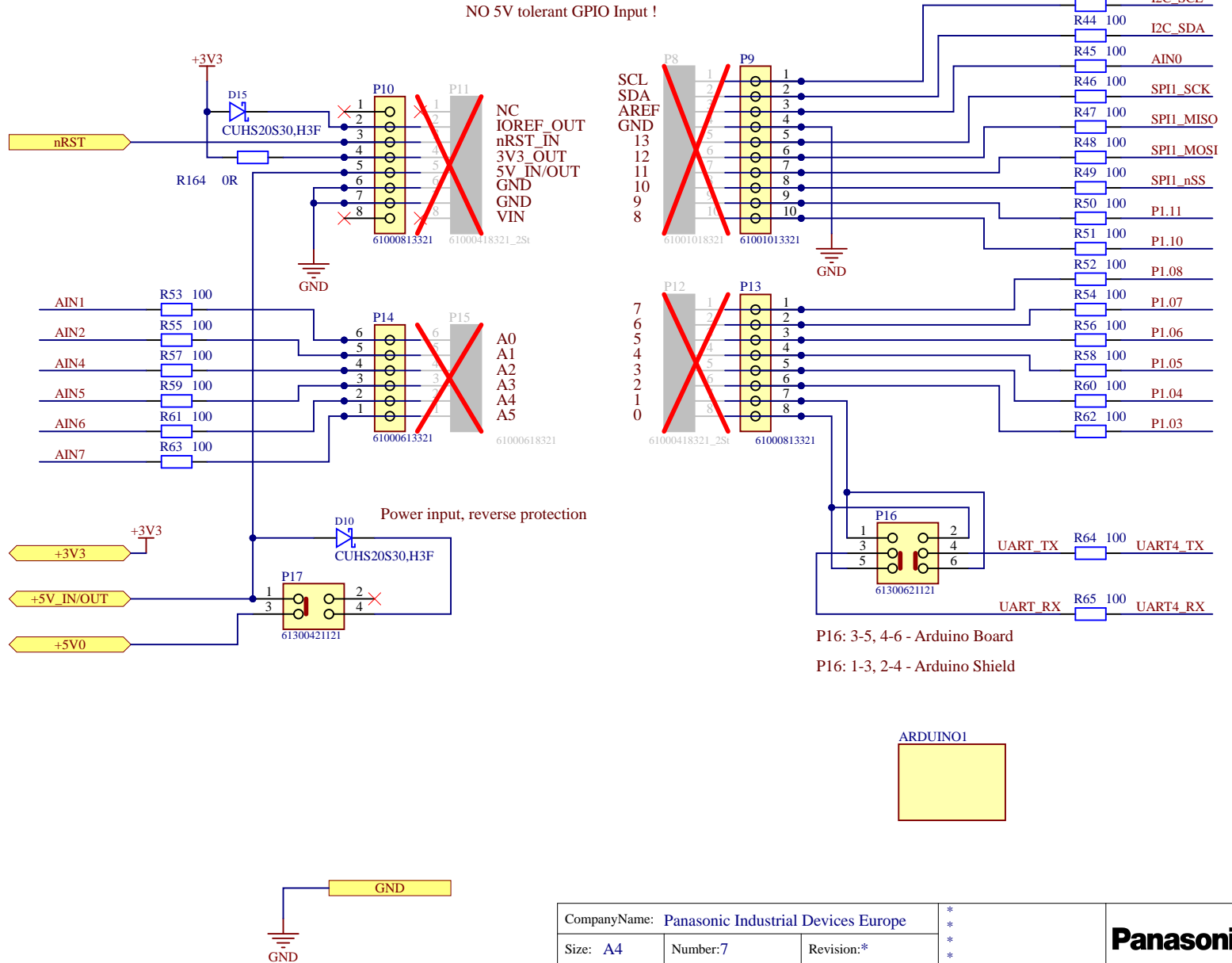
CompanyName: Panasonic Industrial Devices Europe			*
Size: A4	Number:6	Revision:*	*
Date: 20.06.2023	Time: 09:03:52	Sheet 6 of 8	*
File: Debug_Interface.SchDoc			*

Panasonic

GPIO_MOD

- P0.02 AIN0
- P0.03 AIN1
- P0.04 AIN2
- P0.05
- P0.06
- P0.07
- P0.08
- P0.09
- P0.10
- P0.11
- P0.12 SPI1_nSS
- P0.13 SPI1_MOSI
- P0.14 SPI1_MISO
- P0.15 SPI1_SCK
- P0.16
- P0.17
- P0.19
- P0.20
- P0.21
- P0.22
- P0.23
- P0.24
- P0.25
- P0.26 I2C_SDA
- P0.27 I2C_SCL
- P0.28 AIN4
- P0.29 AIN5
- P0.30 AIN6
- P0.31 AIN7
- P1.00
- P1.01 UART4_TX
- P1.02 UART4_RX
- P1.03 P1.03
- P1.04 P1.04
- P1.05 P1.05
- P1.06 P1.06
- P1.07 P1.07
- P1.08 P1.08
- P1.09
- P1.10 P1.10
- P1.11 P1.11
- P1.12
- P1.13
- P1.14
- P1.15

GPIO_ARD

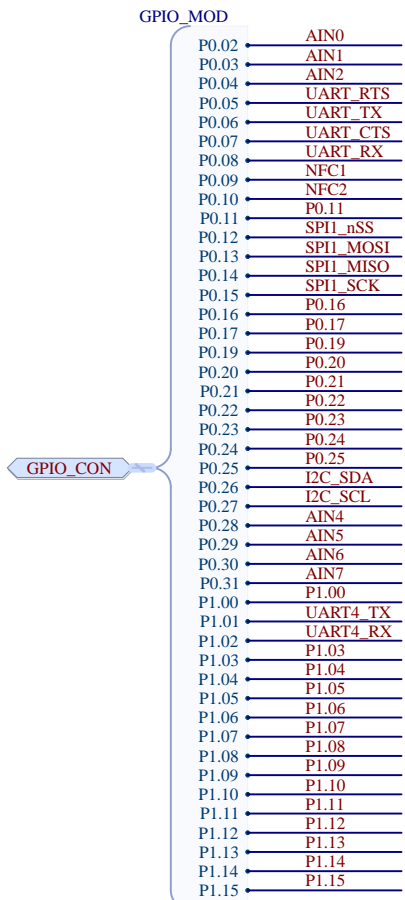


Arduino Interface Connectors

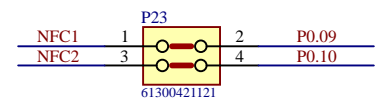
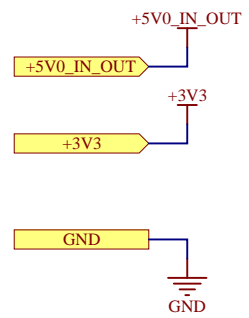
ARDUINO1

CompanyName: Panasonic Industrial Devices Europe			*
Size: A4	Number: 7	Revision: *	*
Date: 20.06.2023	Time: 09:03:52	Sheet 7 of 8	*
File: ARDUINO_CONNECTORS.SchDoc			*

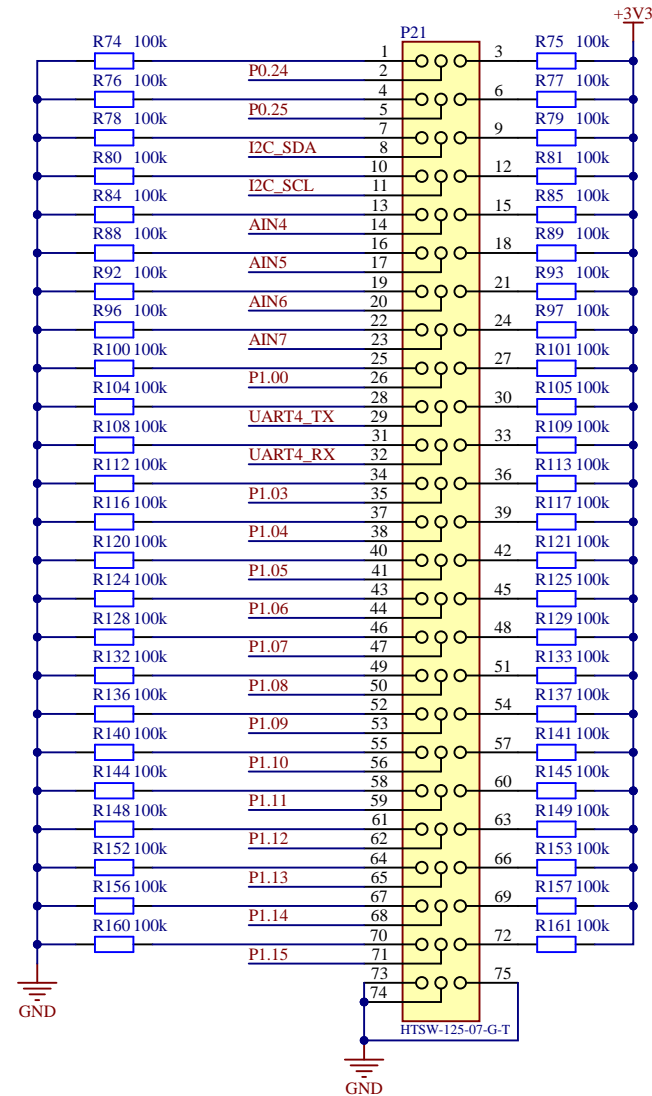
Panasonic



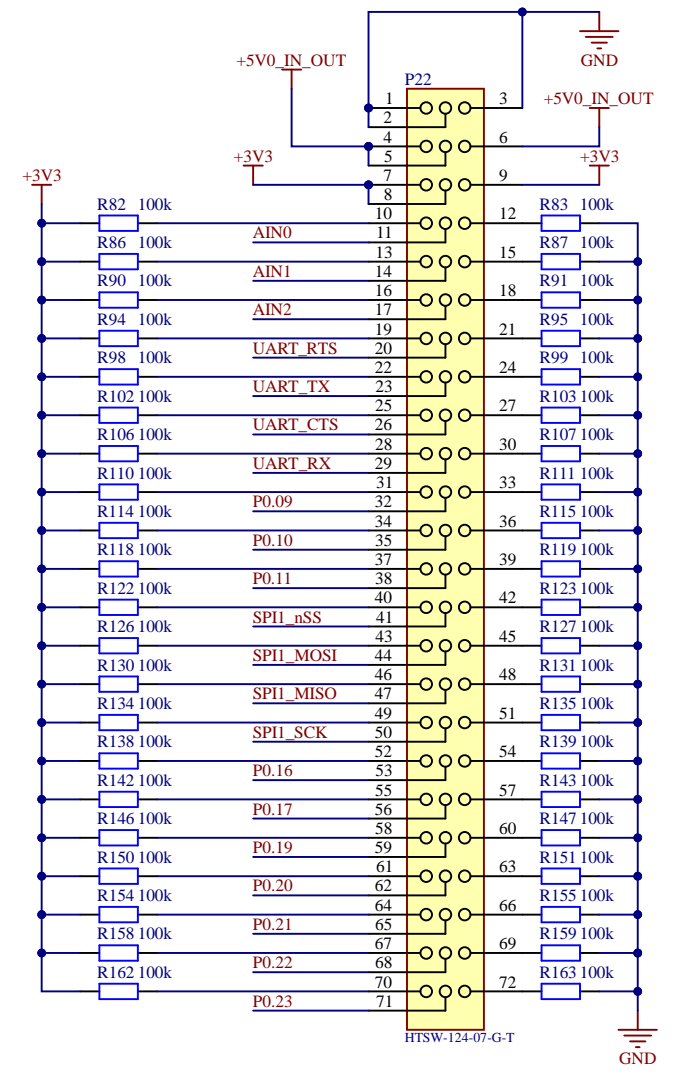
GPIO_CON



NFC pin configuration



GPIO Interface connector



CompanyName: Panasonic Industrial Devices Europe			Panasonic
Size: A4	Number: 8	Revision: *	
Date: 20.06.2023	Time: 09:03:53	Sheet 8 of 8	
File: GPIO_connector.SchDoc			