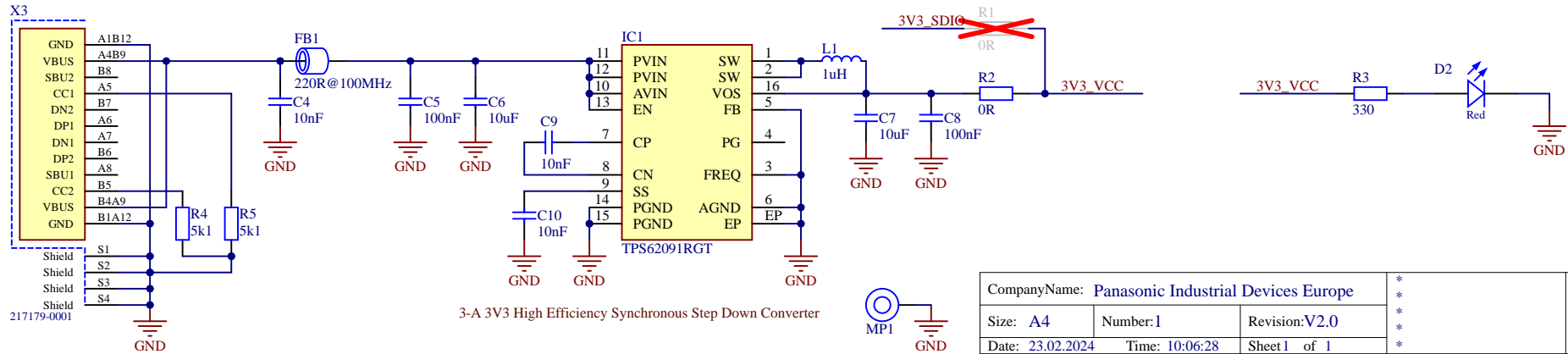
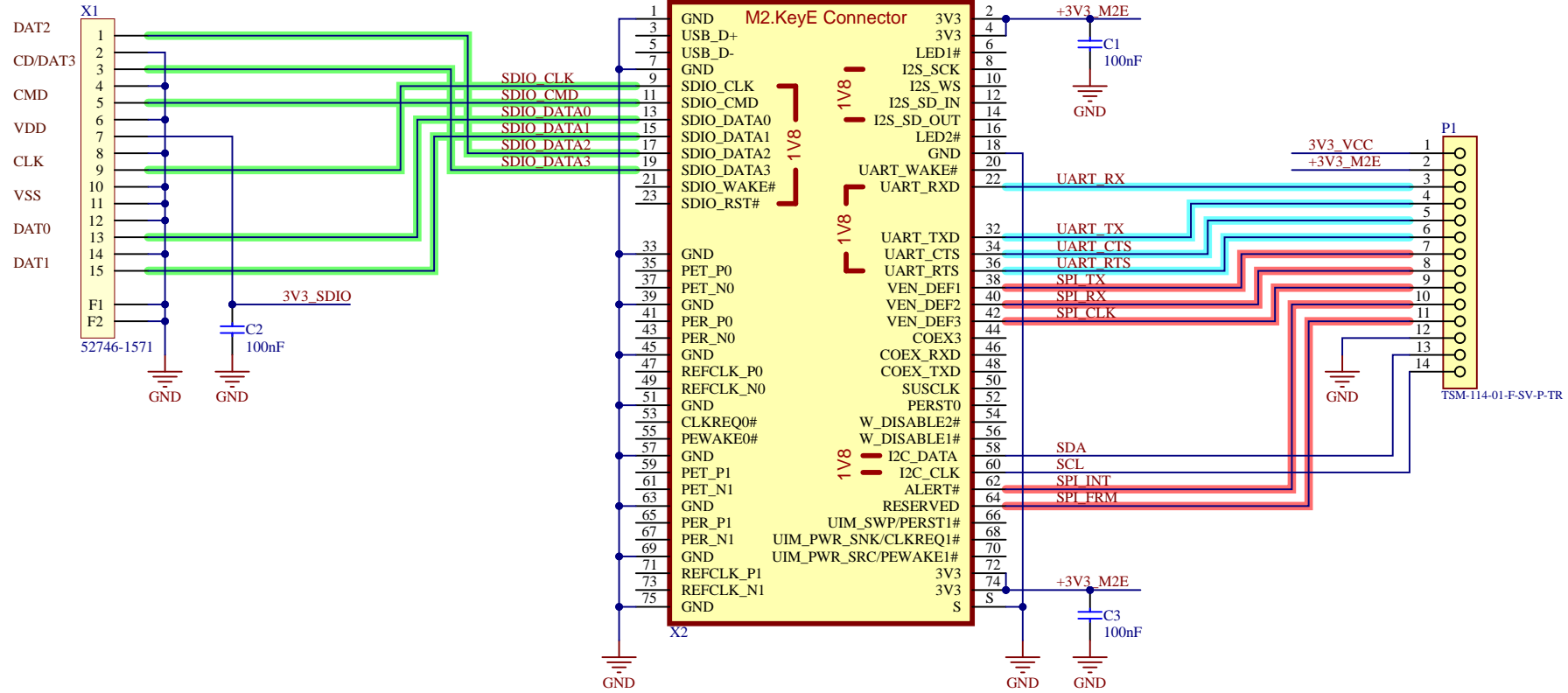


All pinout in this Connector are written from the platform/system point of view when referencing signal directions



CompanyName: Panasonic Industrial Devices Europe

Size: A4

Number: I

Revision: V2.0

Date: 23.02.2024

Time: 10:06:28

Sheet 1 of 1

File: mSD_M2E_Adapter_FPC_V2.0.SchDoc

Panasonic